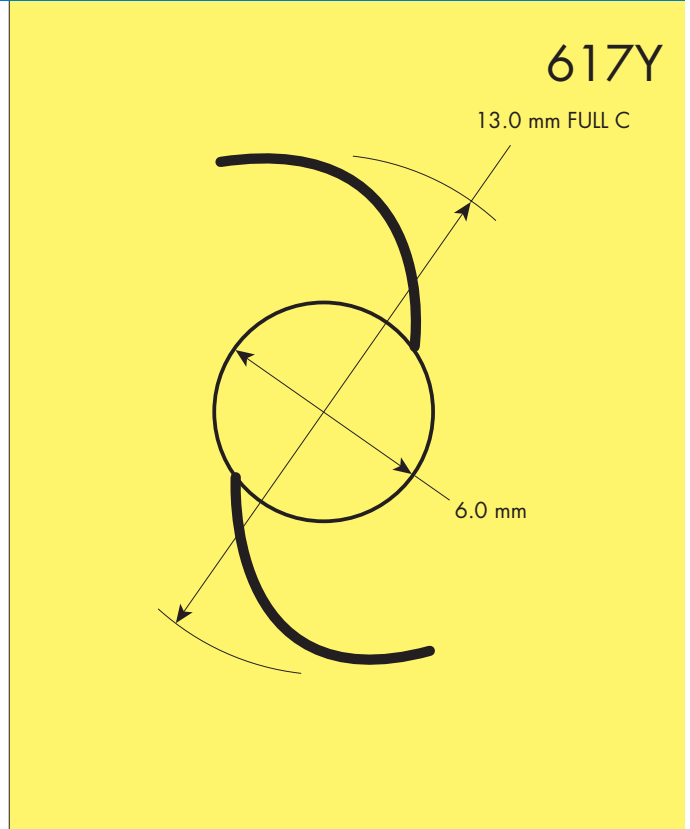
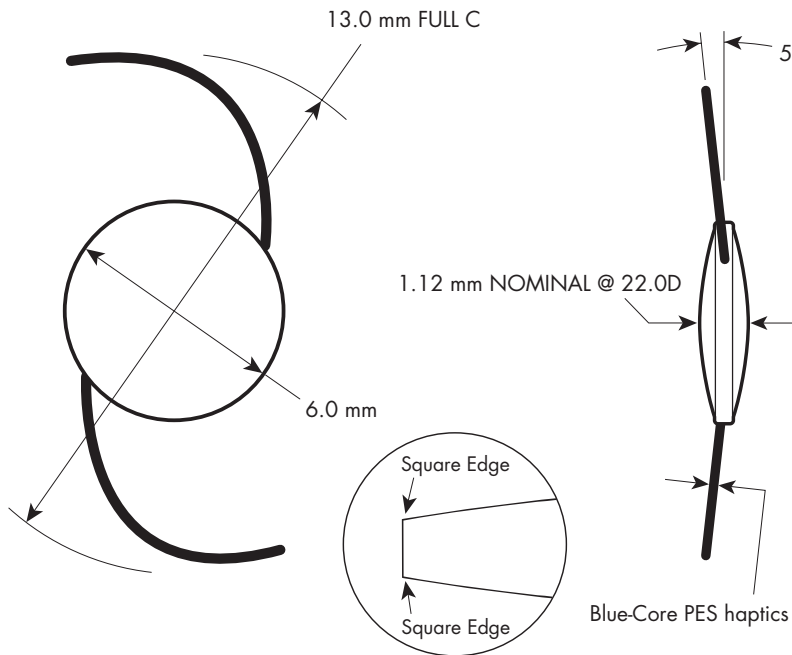


# Tek-Lens II Model 617

(aspheric optic)

Blue Light Filter



Indications: Posterior chamber/cataract surgery

## Additional Specifications

Not available in the United States

Optical hydrophilic acrylic with UV blocker (26% water content)

Diopter range= 6.0 to 30.0

6.0 to 10.0	x	1.0 increments
10.0 to 30.0	x	0.5 increments

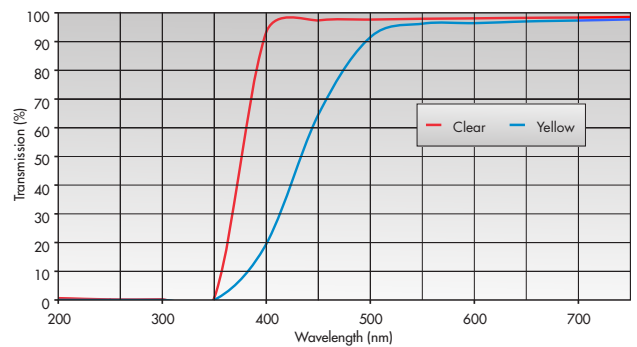
Refractive Index = 1.457 @ 35° C (Fully hydrated)

Light transmission > 95%

Equal biconvex aspheric design

Square optic edge

Incision size - Sub 2.8 mm



CERTIFIED  
ISO 13485



# TEKIA